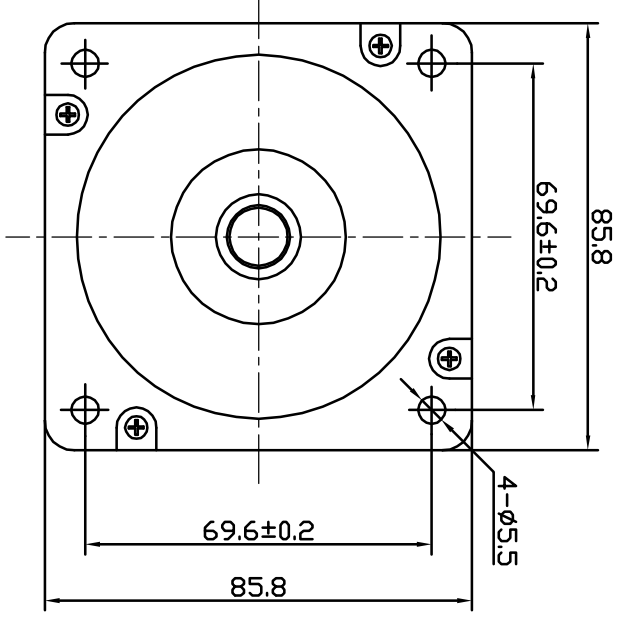
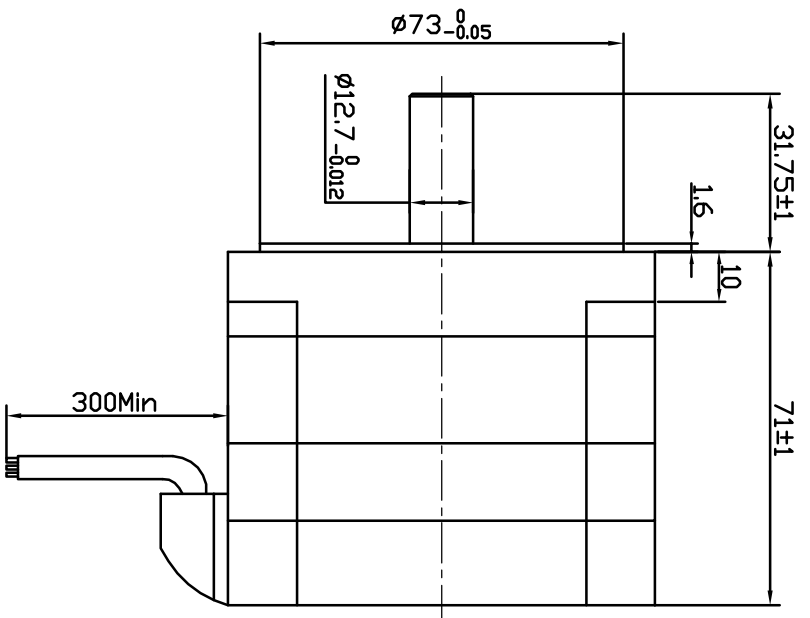
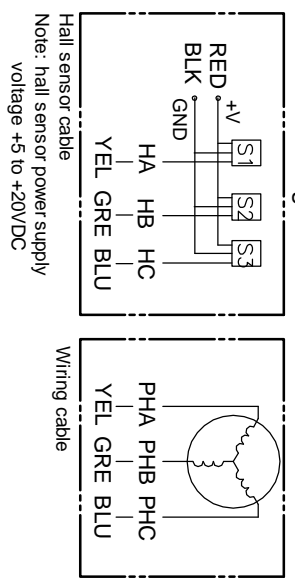


Dimension:  
Unit:mm



Connection diagram:



ROTATION: CW SEE FROM LEAD END

MANUFACTURER MODEL	JK86BL558-X002
NUMBER OF POLES	8
PHASE TO PHASERESISTANCE	1.1 OHMS
NOMINAL VOLTAGE	48 VDC
NO LOAD SPEED	3700±10% RPM
NO LOAD CURRENT	0.8 Amps Max.
RATED TORQUE	0.35 N-m
RATED SPEED	3000±10% RPM
OUTPUT POWER	110 W
BACK EMF CONSTANT	13 V/KRPM
TORQUE CONSTANT	0.124 N-m/A
INSULATION CLASS	B

ELECTRICAL CONNECTION TABLE			
+5V	RED	红	UL1007 26 AWG
HALL U	YEL	黄	
HALL V	GRE	绿	UL1015 18 AWG
HALL W	BLU	蓝	
GND	GND	黑	
PHASE U	YEL	黄	
PHASE V	GRE	绿	
PHASE W	BLU	蓝	

REV.	QTY.	No.	SIG.	DATE
DESIGN			STD.	
CHECK				
PROC.			APPR.	

Title:		常州精控电机电器有限公司	
Specification		JK86BL558-X002	
C/S.MAK	WEIGHT	SCALE	
PAGE:	1/1	www.jkongmotor.com	