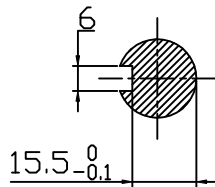
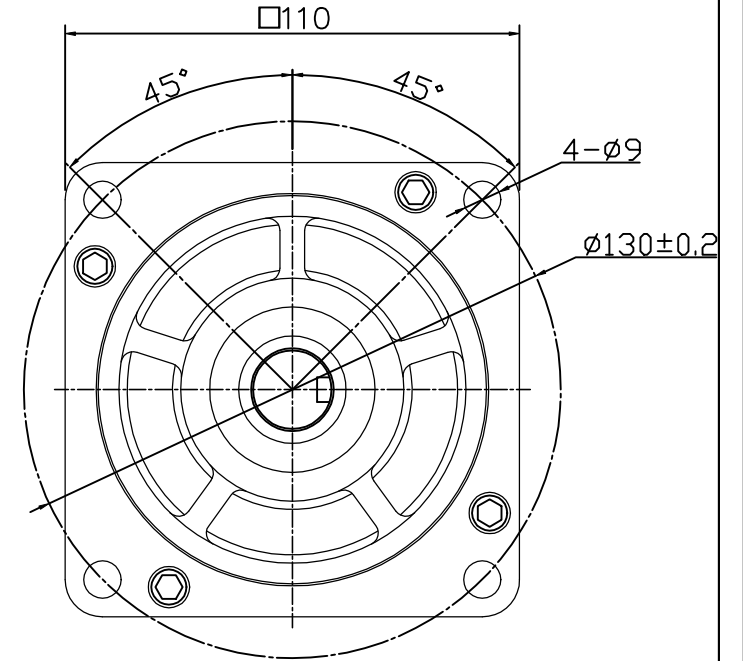
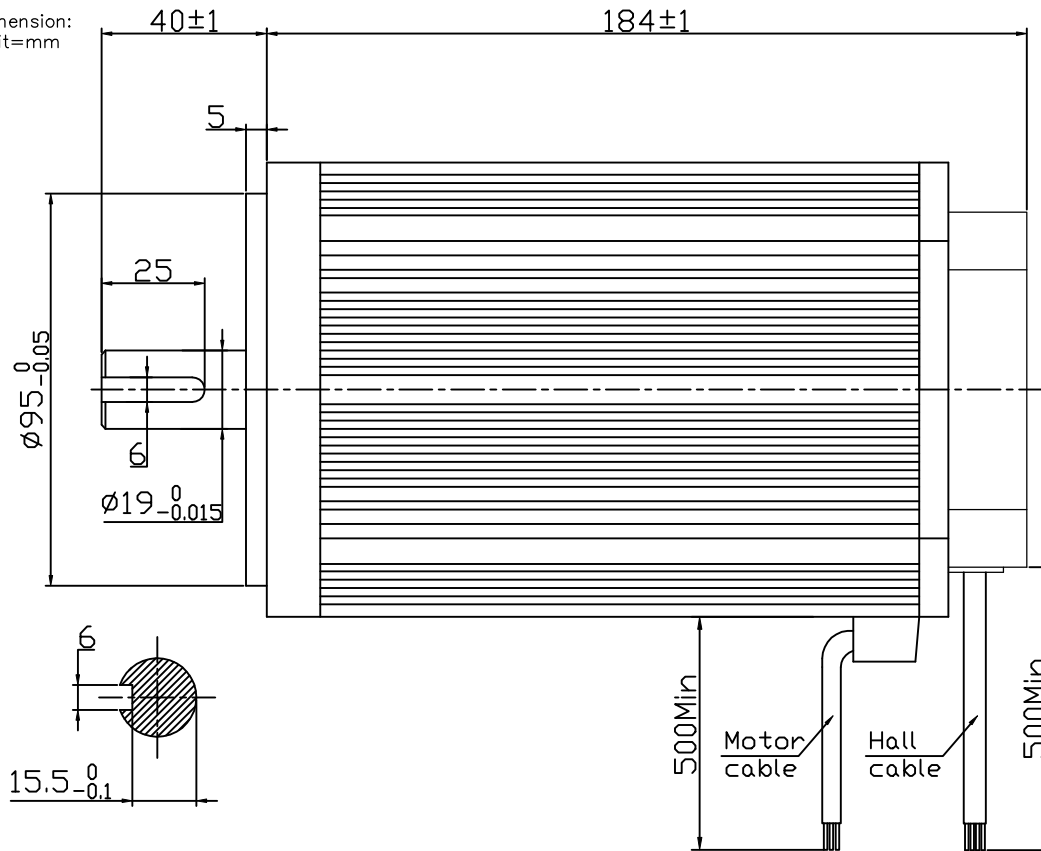


Dimension:  
Unit=mm

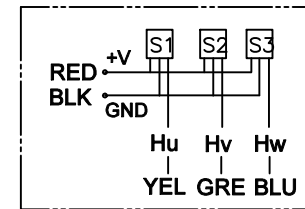


CW COMMUTATION: VIEWED FROM OUTPUT SHAFT

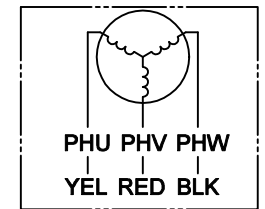
MANUFACTUER MODEL	JK110BLS100
NUMBER OF POLES	8
PHASE TO PHASERESISTANCE	1.1 OHMS
NOMINAL VOLTAGE	310 VDC
NO LOAD SPEED	3400±10% RPM
NO LOAD CURRENT	1.5 Amps Max.
RATED TORQUE	5 N-m
RATED SPEED	3000±10% RPM
RATED CURRENT	5.6 Amps
OUTPUT POWER	1.57 KW
BACK EMF CONSTANT	91.1 V/kRPM
TORQUE CONSTANT	0.87 N-m/A
INSULATION CLASS	H

ELECTRICAL CONNECTION TABLE			
+5V	RED	红	UL2517 26 AWG
HALL U	YEL	黄	
HALL V	GRE	绿	H05SS-F 3*1.5 mm <sup>2</sup>
HALL W	BLU	蓝	
GND	GND	黑	
PHASE U	YEL	黄	
PHASE V	RED	红	
PHASE W	BLK	黑	

Connection diagram:



Hall sensor cable  
Note: hall sensor power supply  
voltage +5 to +20VDC



Wiring cable

REV. QTY. No. SIG. DATE				Title: Specification			常州精控电机电器有限公司
DESIGN	WH	21.10.12	STD.	CLS.MAK	WEIGHT	SCALE	
CHECK				PAGE: 1/1			www.jkongmotor.com
PROC.			APPR.				